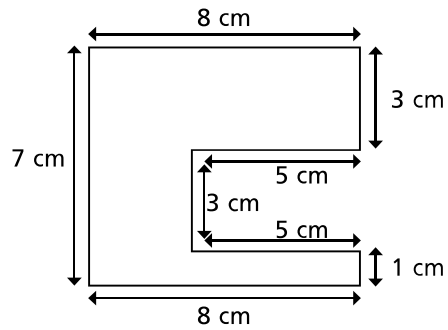
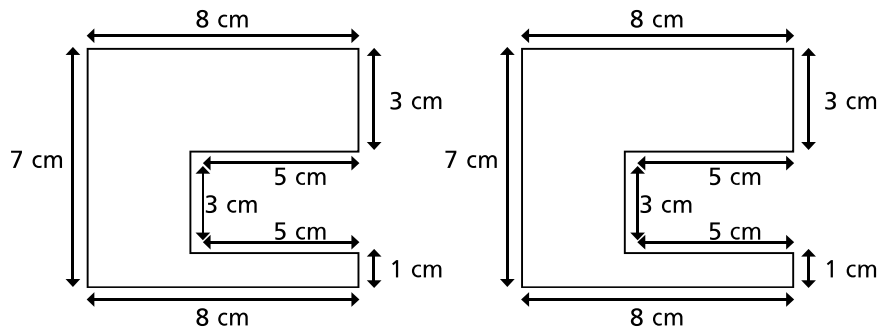


4 Calculate the area of the compound shapes.

a) Mark on the shape how you partitioned it.




b) Show how you can partition the shape in two other ways.



c) Alex has calculated the area of the same shape below.

$$8 \times 7 = 56$$

$$5 \times 3 = 15$$

$$56 - 15 = 41 \text{ cm}^2$$

Explain the method Alex has used.

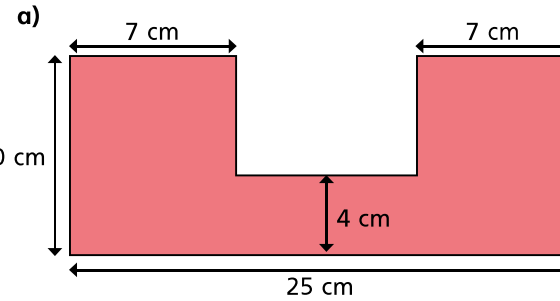
---

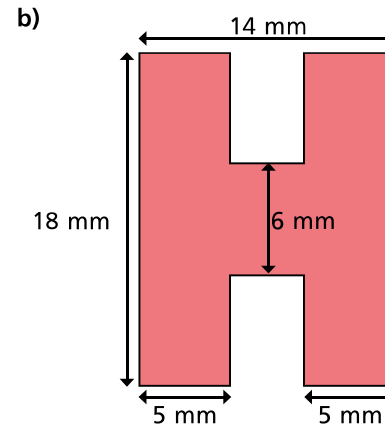


---



5 Calculate the area of these compound shapes.






6 The area of this shape is  $83 \text{ cm}^2$ .  
Work out the perimeter of the shape.

