

# Generalisation

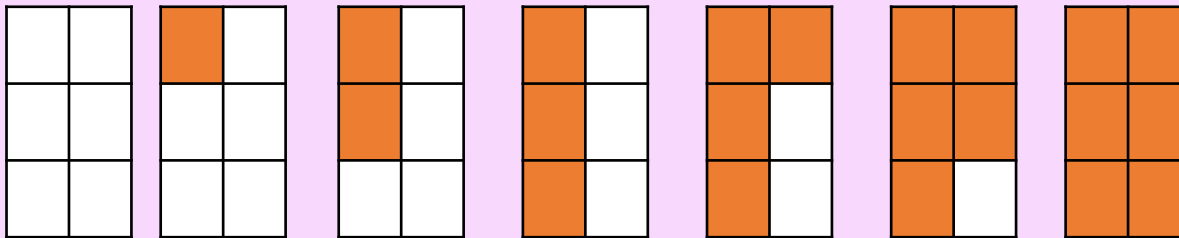
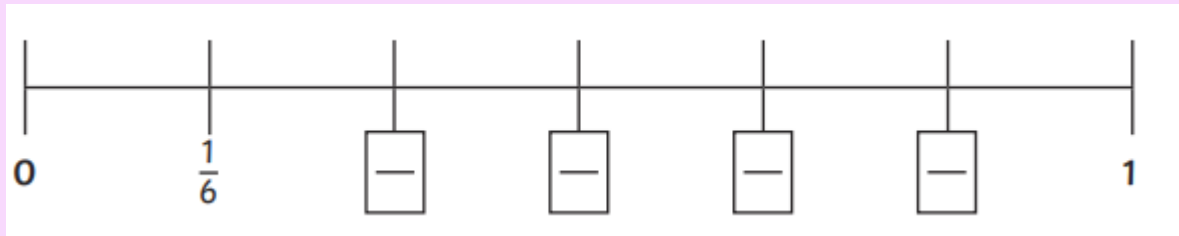
A fraction with the numerator equal to the denominator is equivalent to 1.

$$10/10$$

$$3/3$$

$$4/4$$

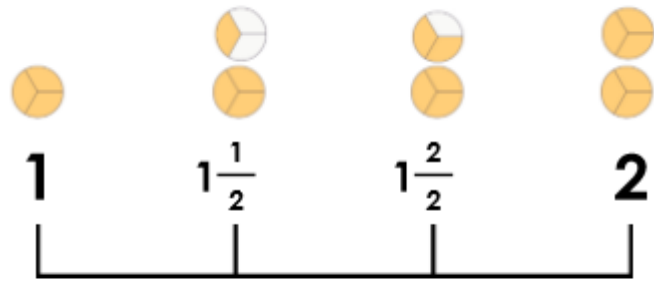
# Model



What do you notice?

# Model

3b. Chloe thinks she has labelled this number line correctly.



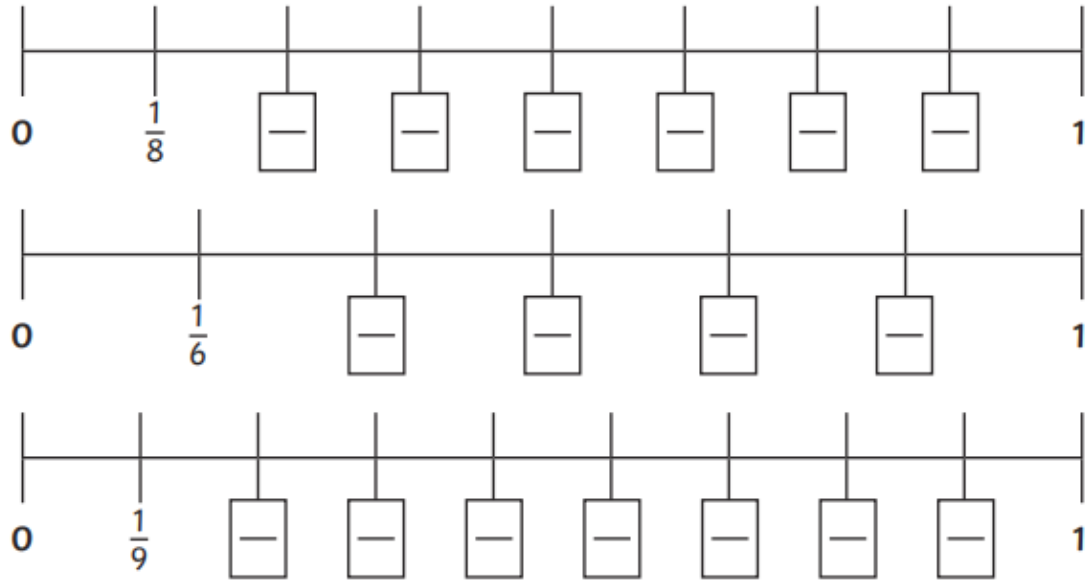
Is she correct? Explain how you know.

It should be  $1\frac{1}{3}$  because the wholes are split into thirds.

Then  $1\frac{2}{3}$ .

# Task

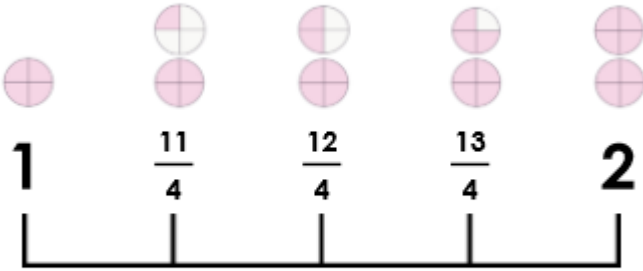
Remember the denominator does not change



How else could 1 whole be represented?

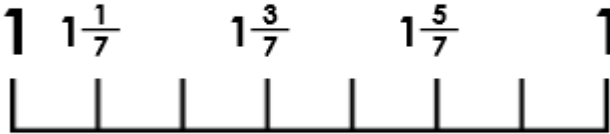
What fractions are equivalent to  $\frac{1}{2}$ ?

3a. Stefan thinks he has labelled this number line correctly.



Is he correct? Explain how you know.

8. 9b. Zuzanna thinks she has labelled this number line correctly.



Is she correct? Explain how you know.